

**MATERIALS & SPECIFICATIONS**

PART NO.	A25001-008	REV	ECO	DATE	APP
		D	96884	07-14-10	TLM

**INSULATOR:**

POLYPHENYLENE SULFIDE (PPS) PER MIL-M-24519, TYPE GST 40F.

**CONTACT:**

COPPER ALLOY PER MIL-DTL-83513, GOLD PLATED PER ASTM B488, (HARD GOLD) TYPE II CODE C CLASS 1.27.

**TERMINATION:**

COPPER ALLOY PER MIL-DTL-83513, GOLD PLATED PER ASTM B488, (HARD GOLD) TYPE II CODE C CLASS 1.27.

**LATCH SPRING:**

BERYLLIUM COPPER PER ASTM B194 NICKEL PLATE PER AMS-C-26074..

**CURRENT CAPACITY:**

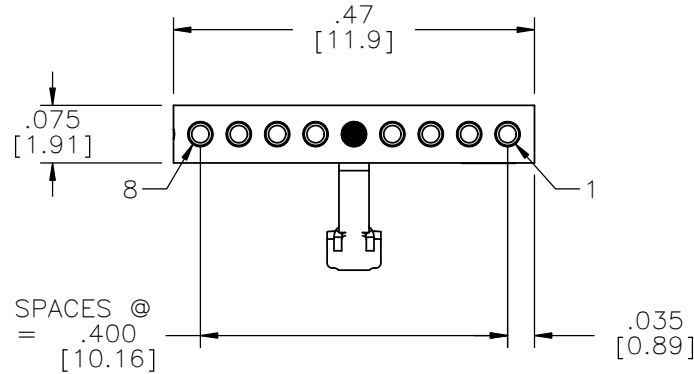
3 AMP MAX.

**CONTACT RESISTANCE:**

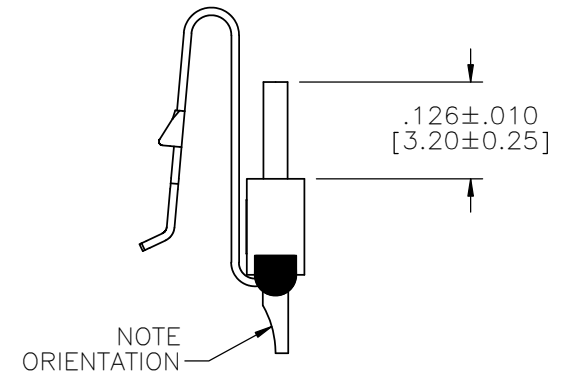
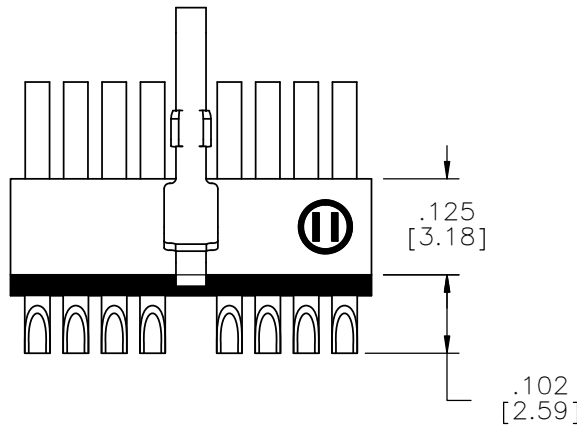
26 MILLIOHMS (65mV) MAX @ 2.5 AMPS.

**PERFORMANCE:**

PRODUCT FAMILY TESTED TO AND PASSED THE PERFORMANCE SPECIFICATIONS OF TABLE VII OF MIL-DTL-83513.



ACTUAL SIZE



REF: OMNETICS

SSB SLDW	THIRD ANGLE	THIS DRAWING CONTAINS CONFIDENTIAL AND PROPRIETARY INFORMATION WHICH IS THE PROPERTY OF OMNETICS CONNECTOR CORP. THIS DOCUMENT MAY NOT, IN WHOLE OR IN PART, BE DUPLICATED, OR DISCLOSED FOR ANY PURPOSE, WITHOUT WRITTEN PERMISSION FROM OMNETICS CONNECTOR CORP.		<h1>OMNETICS</h1> <p>CONNECTOR CORPORATION</p> <p>7260 COMMERCE CIRCLE EAST MINNEAPOLIS, MN 55432 WWW.OMNETICS.COM</p>	CAGE CODE <b>61873</b>		
	-TOLERANCES-	DFTM. DEL	DATE		TITLE:	DWG NO. <b>A25001-008</b>	
	UNLESS OTHERWISE NOTED	CHK'D.	DATE		<b>(8) SOCKET FEMALE</b> <b>SINGLE ROW CONNECTOR</b> <b>W/ LATCH</b>	SHEET 1 OF 1	
	DIMENSIONS IN INCHES	APP'D.	DATE			SCALE: 4:1	REV D