

**MATERIALS & SPECIFICATIONS**

PART NO.	A25001-004	REV	ECO	DATE	APP
		D	96884	07-14-10	TLM

**INSULATOR:**

POLYPHENYLENE SULFIDE (PPS) PER MIL-M-24519, TYPE GST 40F.

**CONTACT:**

COPPER ALLOY PER MIL-DTL-83513, GOLD PLATED PER ASTM B488, (HARD GOLD) TYPE II CODE C CLASS 1.27.

**TERMINATION:**

COPPER ALLOY PER MIL-DTL-83513, GOLD PLATED PER ASTM B488, (HARD GOLD) TYPE II CODE C CLASS 1.27.

**LATCH SPRING:**

BERYLLIUM COPPER PER ASTM B194 NICKEL PLATE PER AMS-C-26074..

**CURRENT CAPACITY:**

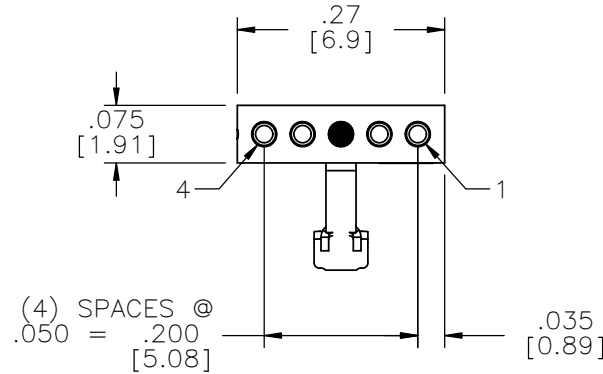
3 AMP MAX.

**CONTACT RESISTANCE:**

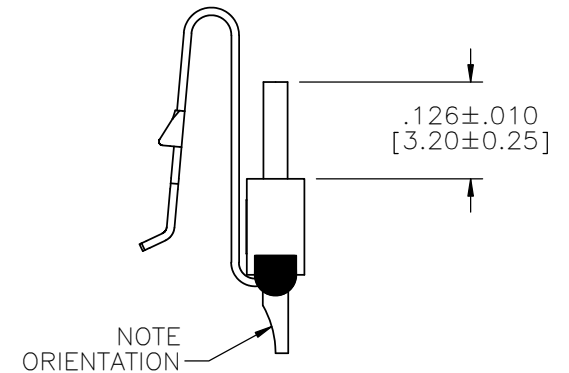
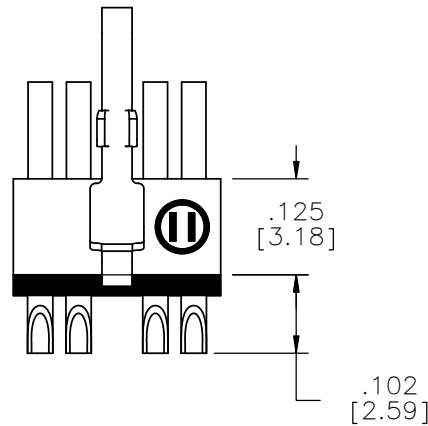
26 MILLIOHMS (65mV) MAX @ 2.5 AMPS.

**PERFORMANCE:**

PRODUCT FAMILY TESTED TO AND PASSED THE PERFORMANCE SPECIFICATIONS OF TABLE VII OF MIL-DTL-83513.



ACTUAL SIZE



REF: OMNETICS

SSB SLDW	THIRD ANGLE	THIS DRAWING CONTAINS CONFIDENTIAL AND PROPRIETARY INFORMATION WHICH IS THE PROPERTY OF OMNETICS CONNECTOR CORP. THIS DOCUMENT MAY NOT, IN WHOLE OR IN PART, BE DUPLICATED, OR DISCLOSED FOR ANY PURPOSE, WITHOUT WRITTEN PERMISSION FROM OMNETICS CONNECTOR CORP.		<b>OMNETICS</b> CONNECTOR CORPORATION 7260 COMMERCE CIRCLE EAST MINNEAPOLIS, MN 55432 WWW.OMNETICS.COM	CAGE CODE <b>61873</b>	
	-TOLERANCES- UNLESS OTHERWISE NOTED DIMENSIONS IN INCHES	DFTM. DEL DATE 09-26-02	TITLE: (4) SOCKET FEMALE SINGLE ROW CONNECTOR W/ LATCH		DWG NO. <b>A25001-004</b>	SHEET 1 OF 1
	2 PL DEC±.01 3 PL DEC±.005 4 PL DEC±.0005 ANGLES ± 1°	CHK'D.	APP'D.		SCALE: 4:1	