

MATERIALS & SPECIFICATIONS

PART NO.	A25001-002	REV	ECO	DATE	APP
		D	96884	07-14-10	TLM

INSULATOR:

POLYPHENYLENE SULFIDE
(PPS) PER MIL-M-24519,
TYPE GST 40F.

CONTACT:

COPPER ALLOY PER MIL-
DTL-83513, GOLD PLATED
PER ASTM B488, (HARD
GOLD) TYPE II CODE C
CLASS 1.27.

TERMINATION:

COPPER ALLOY PER MIL-
DTL-83513, GOLD PLATED
PER ASTM B488, (HARD
GOLD) TYPE II CODE C
CLASS 1.27.

LATCH SPRING:

BERYLLIUM COPPER PER
ASTM B194 NICKEL PLATE
PER AMS-C-26074..

CURRENT CAPACITY:

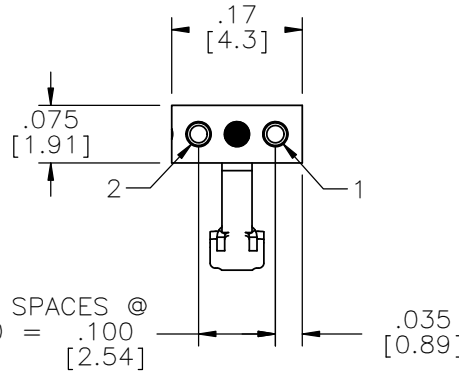
3 AMP MAX.

CONTACT RESISTANCE:

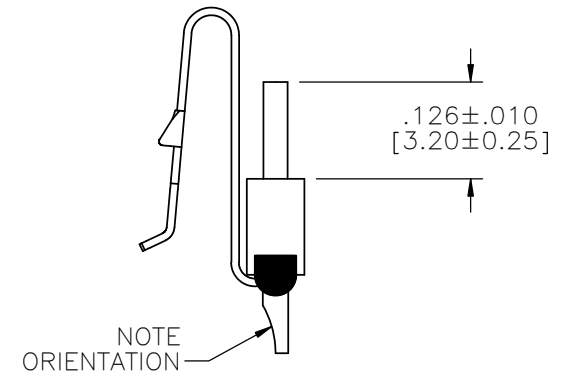
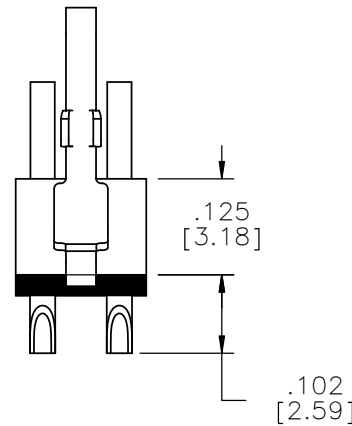
26 MILLIOHMS (65mV) MAX
@ 2.5 AMPS.

PERFORMANCE:

PRODUCT FAMILY TESTED
TO AND PASSED THE
PERFORMANCE
SPECIFICATIONS OF TABLE
VII OF MIL-DTL-83513.



ACTUAL SIZE



REF: OMNETICS

SSB SLDW	THIRD ANGLE	THIS DRAWING CONTAINS CONFIDENTIAL AND PROPRIETARY INFORMATION WHICH IS THE PROPERTY OF OMNETICS CONNECTOR CORP. THIS DOCUMENT MAY NOT, IN WHOLE OR IN PART, BE DUPLICATED, OR DISCLOSED FOR ANY PURPOSE, WITHOUT WRITTEN PERMISSION FROM OMNETICS CONNECTOR CORP.		<h1>OMNETICS</h1> <p>CONNECTOR CORPORATION 7260 COMMERCE CIRCLE EAST MINNEAPOLIS, MN 55432 WWW.OMNETICS.COM</p>	CAGE CODE 61873	
	-TOLERANCES-	DFTM. DEL	DATE		TITLE:	DWG NO.
	UNLESS OTHERWISE NOTED	CHK'D.	DATE		(2) SOCKET FEMALE	A25001-002
	DIMENSIONS IN INCHES	APP'D.	DATE		SINGLE ROW CONNECTOR	SHEET 1 OF 1
2 PL DEC±.01			W/ LATCH	REV		
3 PL DEC±.005				D		
4 PL DEC±.0005				SCALE: 4:1		
ANGLES ± 1°						