

MATERIALS & SPECIFICATIONS

PART NO.	A25000-016	REV	ECO	DATE	APP
		E	100283	02-12-14	TLM

INSULATOR:
POLYPHENYLENE SULFIDE (PPS)
PER MIL-M-24519, TYPE GST
40F.

CONTACT:
COPPER ALLOY PER MIL-DTL-
83513, GOLD PLATED PER ASTM
B488, (HARD GOLD) TYPE II
CODE C CLASS 1.27.

TERMINATION:
26 AWG (7-34) TYPE E, PER
NEMA HP3, COLOR CODED PER
TABLE.

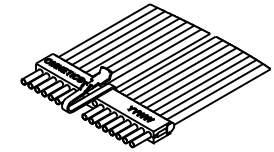
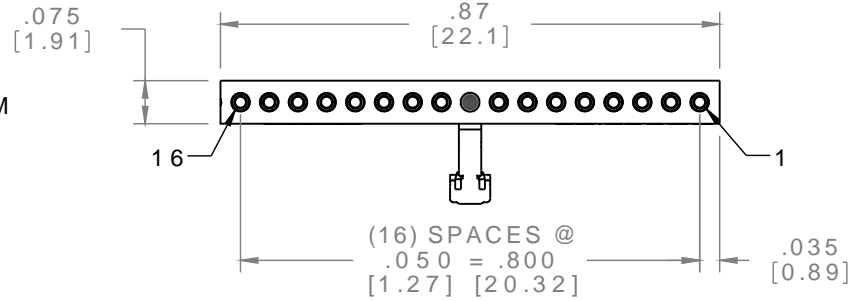
LATCH:
BERYLLIUM COPPER PER ASTM
B194 NICKEL PLATE PER SAE-
AMS-2404.

CURRENT CAPACITY:
3 AMP MAX.

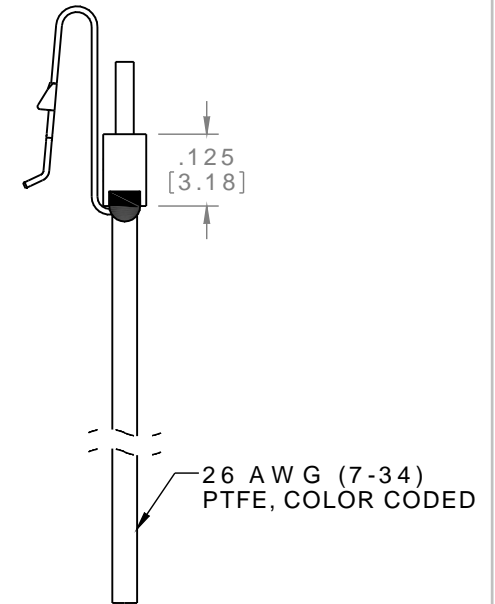
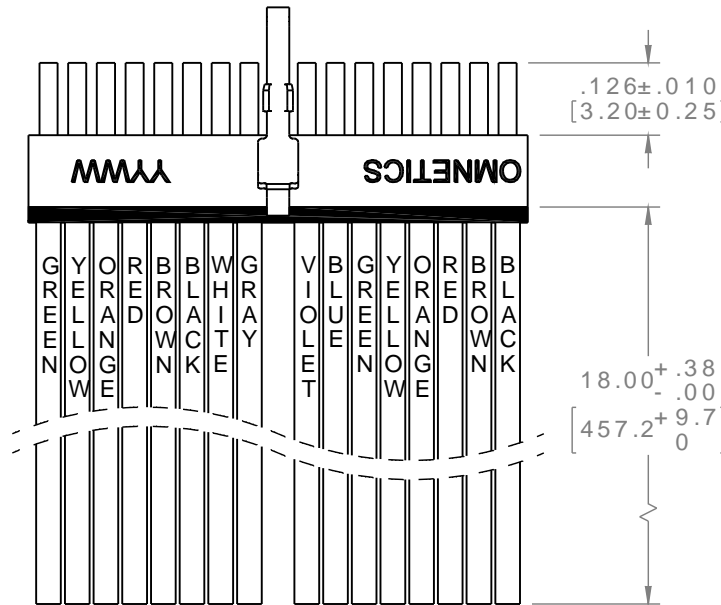
CONTACT RESISTANCE:
26 MILLIOHMS (65mV) MAX @
2.5 AMPS.

PERFORMANCE:
PRODUCT FAMILY TESTED TO
AND PASSED THE PERFORMANCE
SPECIFICATIONS OF TABLE VII
OF MIL-DTL-83513.

SOCKET #	COLOR
1, 11	BLACK
2, 12	BROWN
3, 13	RED
4, 14	ORANGE
5, 15	YELLOW
6, 16	GREEN
7	BLUE
8	VIOLET
9	GRAY
10	WHITE



ACTUAL SIZE
EXCLUDING
WIRE LENGTH



NOTE:

DIMENSIONS IN [] ARE IN
MILLIMETERS UNLESS
OTHERWISE NOTED AND ARE
FOR REFERENCE ONLY

SSB SLDW	THIRD ANGLE
	-TOLERANCES-
	UNLESS OTHERWISE NOTED
	DIMENSIONS IN INCHES
	2 PL DEC± .01
	3 PL DEC± .005
	4 PL DEC± .0005
	ANGLES ± 1°

THIS DRAWING CONTAINS CONFIDENTIAL AND PROPRIETARY INFORMATION WHICH IS THE PROPERTY OF OMNETICS CONNECTOR CORP. THIS DOCUMENT MAY NOT, IN WHOLE OR IN PART, BE DUPLICATED, OR DISCLOSED FOR ANY PURPOSE, WITHOUT WRITTEN PERMISSION FROM OMNETICS CONNECTOR CORP.	
DFTM. SKP	DATE 03-31-03
CHK'D.	DATE
APP'D.	DATE
TITLE: (16) SOCKET FEMALE SINGLE ROW CONNECTOR W/ LATCH	

OMNETICS
CONNECTOR CORPORATION
7260 COMMERCE CIRCLE EAST
MINNEAPOLIS, MN 55432
WWW.OMNETICS.COM

CAGE CODE 61873	REV
DWG NO. A25000-016	E
SHEET 1 OF 1	SCALE: 3:1