

# MATERIALS & SPECIFICATIONS

PART NO.	A25000-014	REV	ECO	DATE	APP
		E	100283	02-12-14	TLM

**INSULATOR:**  
POLYPHENYLENE SULFIDE (PPS)  
PER MIL-M-24519, TYPE GST  
40F.

**CONTACT:**  
COPPER ALLOY PER MIL-DTL-  
83513, GOLD PLATED PER ASTM  
B488, (HARD GOLD) TYPE II  
CODE C CLASS 1.27.

**TERMINATION:**  
26 AWG (7-34) TYPE E, PER  
NEMA HP3, COLOR CODED PER  
TABLE.

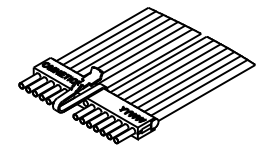
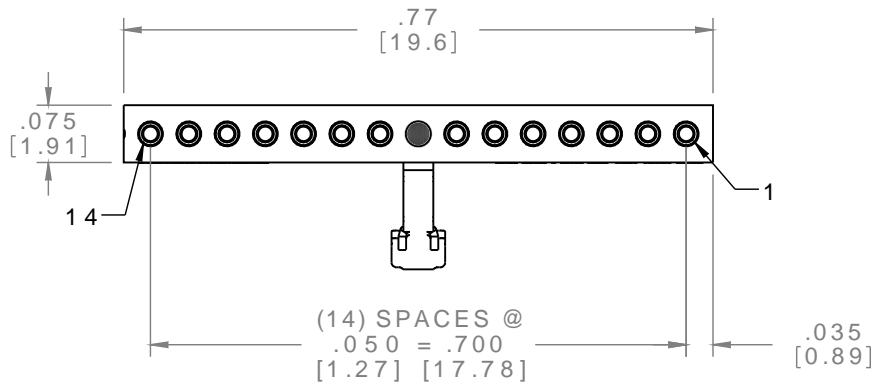
**LATCH:**  
BERYLLIUM COPPER PER ASTM  
B194 NICKEL PLATE PER SAE-  
AMS-2404.

**CURRENT CAPACITY:**  
3 AMP MAX.

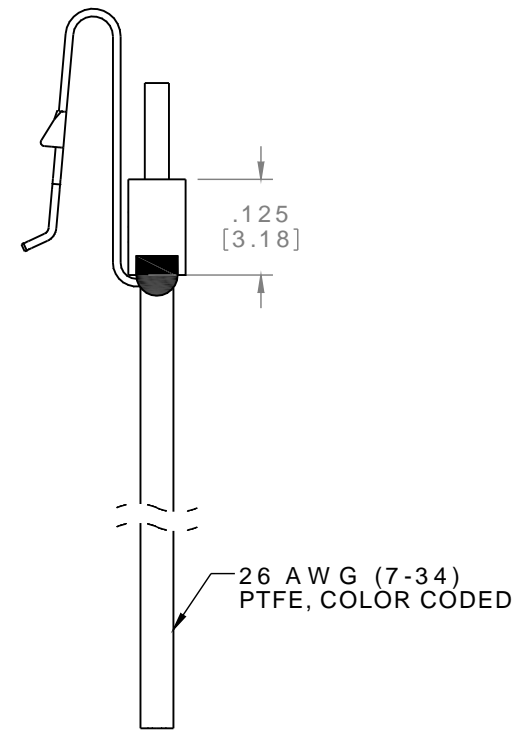
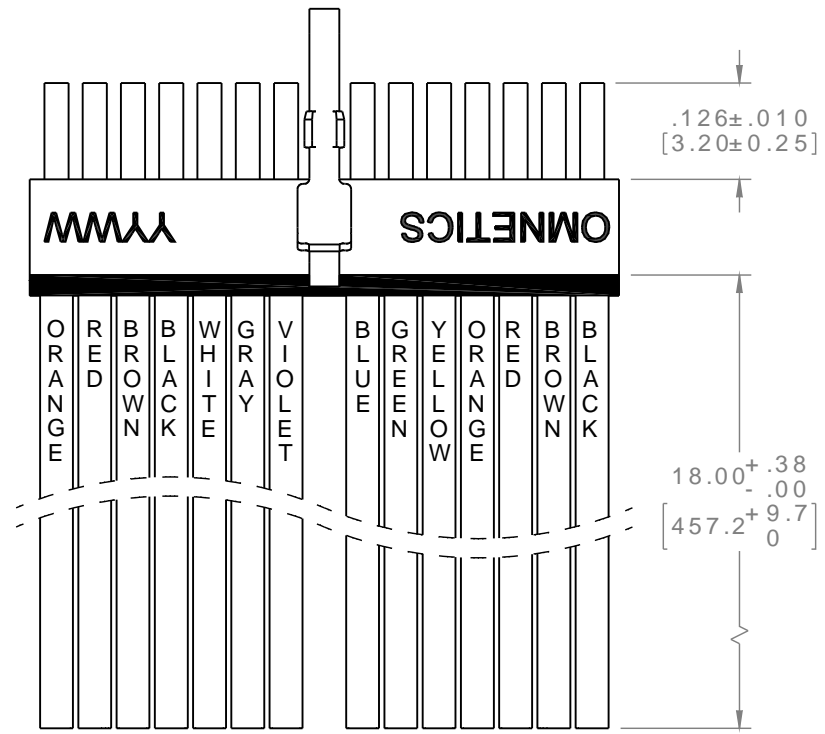
**CONTACT RESISTANCE:**  
26 MILLIOHMS (65mV) MAX @  
2.5 AMPS.

**PERFORMANCE:**  
PRODUCT FAMILY TESTED TO  
AND PASSED THE PERFORMANCE  
SPECIFICATIONS OF TABLE VII  
OF MIL-DTL-83513.

SOCKET #	COLOR
1, 11	BLACK
2, 12	BROWN
3, 13	RED
4, 14	ORANGE
5	YELLOW
6	GREEN
7	BLUE
8	VIOLET
9	GRAY
10	WHITE



ACTUAL SIZE  
EXCLUDING  
WIRE LENGTH



**NOTE:**  
DIMENSIONS IN [ ] ARE IN  
MILLIMETERS UNLESS  
OTHERWISE NOTED AND ARE  
FOR REFERENCE ONLY

SSB SLDW	THIRD ANGLE	THIS DRAWING CONTAINS CONFIDENTIAL AND PROPRIETARY INFORMATION WHICH IS THE PROPERTY OF OMNETICS CONNECTOR CORP. THIS DOCUMENT MAY NOT, IN WHOLE OR IN PART, BE DUPLICATED, OR DISCLOSED FOR ANY PURPOSE, WITHOUT WRITTEN PERMISSION FROM OMNETICS CONNECTOR CORP.	
	-TOLERANCES-	DATE	TITLE:
	UNLESS OTHERWISE NOTED	03-31-03	(14) SOCKET FEMALE
	DIMENSIONS IN INCHES		SINGLE ROW CONNECTOR
2 PL DEC± .01	CHK'D.	DATE	W/ LATCH
3 PL DEC± .005	APP'D.	DATE	
4 PL DEC± .0005			
ANGLES ± 1°			

**OMNETICS**  
CONNECTOR CORPORATION  
7260 COMMERCE CIRCLE EAST  
MINNEAPOLIS, MN 55432  
WWW.OMNETICS.COM

CAGE CODE 61873
DWG NO. A25000-014
SHEET 1 OF 1
SCALE: 4:1
REV E