

MATERIALS & SPECIFICATIONS

| | | | | | |
|----------|------------|-----|--------|----------|-----|
| PART NO. | A24000-018 | REV | ECO | DATE | APP |
| | | E | 102047 | 11-02-15 | TLM |

INSULATOR:

POLYPHENYLENE SULFIDE (PPS)
PER MIL-M-24519, TYPE GST
40F.

CONTACT:

BERYLLIUM COPPER PER ASTM
B194, C17200. GOLD PLATED
PER ASTM B488, (HARD GOLD)
TYPE II CODE C CLASS 1.27.

TERMINATION:

26 AWG (7-34) TYPE E, PER
NEMA HP3, COLOR CODED PER
TABLE.

LATCH BOX:

BERYLLIUM COPPER PER ASTM
B194 NICKEL PLATE PER SAE-
AMS-2404.

CURRENT CAPACITY:

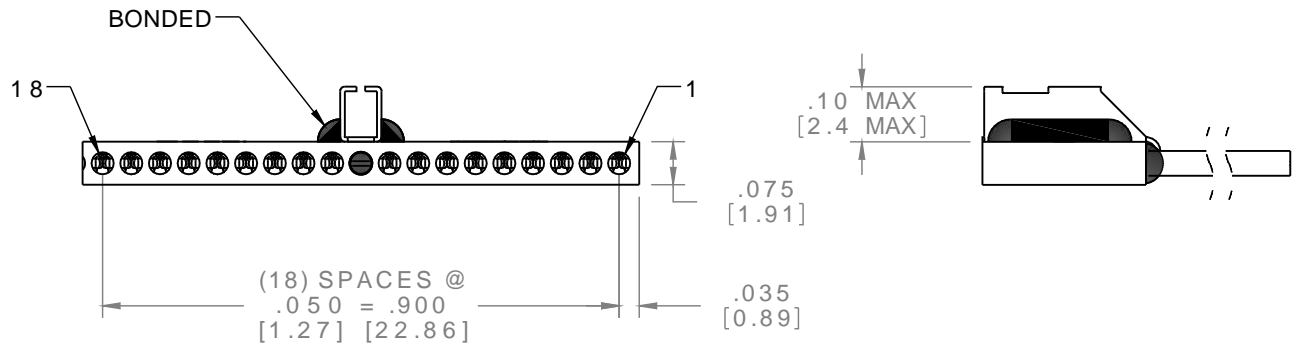
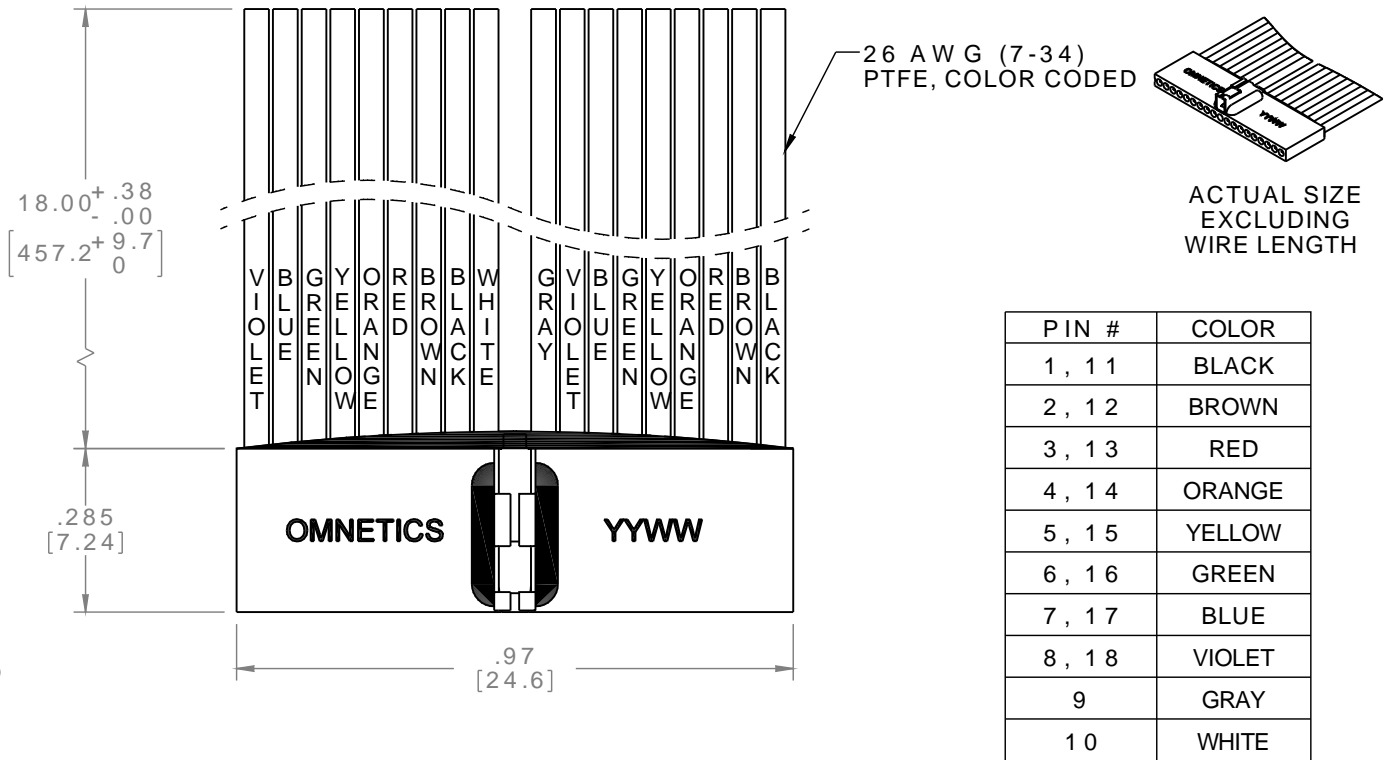
3 AMP MAX.

CONTACT RESISTANCE:

26 MILLIOHMS (65mV) MAX @
2.5 AMPS.

PERFORMANCE:

PRODUCT FAMILY TESTED TO AND
PASSED THE PERFORMANCE
SPECIFICATIONS OF TABLE VII OF
MIL-DTL-83513.



NOTE:

DIMENSIONS IN [] ARE IN
MILLIMETERS UNLESS
OTHERWISE NOTED AND ARE
FOR REFERENCE ONLY

| | |
|-------------|------------------------|
| PS1 SLDW | THIRD ANGLE |
| | -TOLERANCES- |
| | UNLESS OTHERWISE NOTED |
| | DIMENSIONS IN INCHES |
| | 2 PL DEC ± .01 |
| | 3 PL DEC ± .005 |
| | 4 PL DEC ± .0005 |
| | ANGLES ± 1° |

| | |
|--|---------------|
| THIS DRAWING CONTAINS CONFIDENTIAL AND PROPRIETARY INFORMATION WHICH IS THE PROPERTY OF OMNETICS CONNECTOR CORP. THIS DOCUMENT MAY NOT, IN WHOLE OR IN PART, BE DUPLICATED, OR DISCLOSED FOR ANY PURPOSE, WITHOUT WRITTEN PERMISSION FROM OMNETICS CONNECTOR CORP. | |
| DFTM. SKP | DATE 06-27-02 |
| CHK'D. | DATE |
| APP'D. | DATE |
| TITLE: (18) PIN MALE CONNECTOR W/LATCH | |

OMNETICS
CONNECTOR CORPORATION
7260 COMMERCE CIRCLE EAST
MINNEAPOLIS, MN 55432
WWW.OMNETICS.COM

| |
|--------------------|
| CAGE CODE 61873 |
| DWG NO. A24000-018 |
| SHEET 1 OF 1 |
| SCALE: 3:1 |
| REV E |