

**MATERIALS & SPECIFICATIONS**

PART NO.	A 79037-001	REV	ECO	DATE	APP
		B	99102	12-07-12	TLM

**INSULATOR:**  
THERMOPLASTIC PER MIL-M-24519, TYPE GLCP-30F OR GST-40F NATURAL

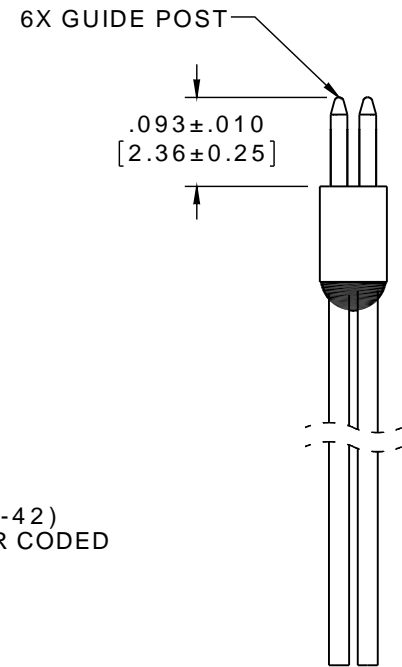
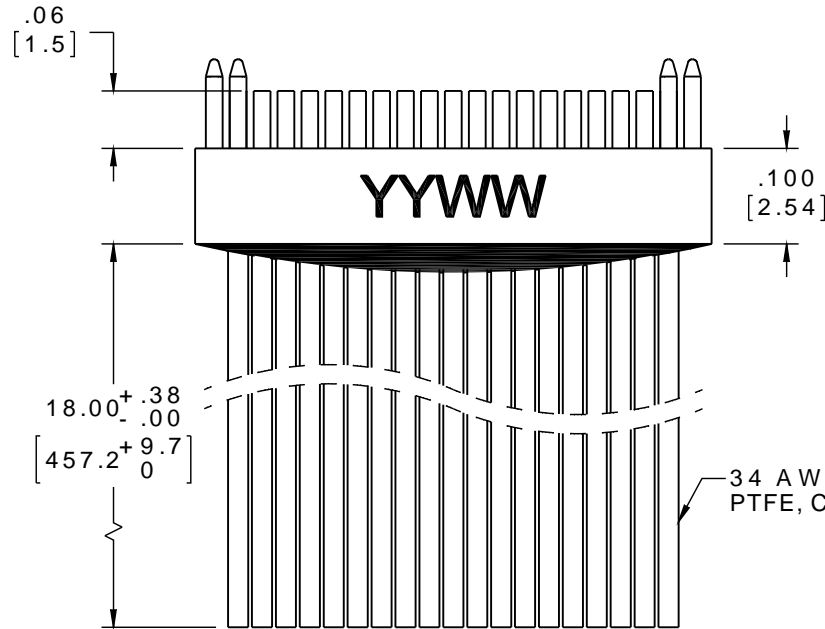
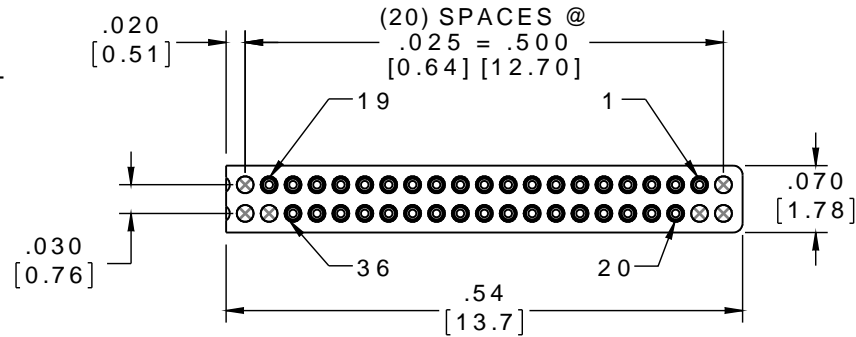
**CONTACT:**  
COPPER ALLOY PER MIL-DTL-32139. GOLD PLATED PER ASTM B488, (HARD GOLD) TYPE II CODE C CLASS 1.27

**TERMINATION:**  
34 AWG (7-42) PTFE, COLOR CODED PER TABLE

**GUIDE POST:**  
BERYLLIUM COPPER ALLOY PER ASTM B196. ELECTROLESS NICKEL PER SAE-AMS-2404

**CURRENT CAPACITY:**  
1 AMP MAX PER MIL-DTL-32139

**CONTACT RESISTANCE:**  
71 MILLIOHMS (71mV) MAX @ 1.0 AMPS PER MIL-DTL-32139



SOCKET #	COLOR
1, 11, 21, 31	BLACK
2, 12, 22, 32	BROWN
3, 13, 23, 33	RED
4, 14, 24, 34	ORANGE
5, 15, 25, 35	YELLOW
6, 16, 26, 36	GREEN
7, 17, 27	BLUE
8, 18, 28	VIOLET
9, 19, 29	GRAY
10, 20, 30	WHITE

**INTERNAL USE ONLY**  
SHEET 2 OF 2 IS  
MANUFACTURING  
LOADING DIAGRAM

**RoHS**

NOTE:

DIMENSIONS IN [ ] ARE IN MILLIMETERS UNLESS OTHERWISE NOTED AND ARE FOR REFERENCE ONLY

NSD DSD MSD SLD	THIRD ANGLE	THIS DRAWING CONTAINS CONFIDENTIAL AND PROPRIETARY INFORMATION WHICH IS THE PROPERTY OF OMNETICS CONNECTOR CORP. THIS DOCUMENT MAY NOT, IN WHOLE OR IN PART, BE DUPLICATED, OR DISCLOSED FOR ANY PURPOSE, WITHOUT WRITTEN PERMISSION FROM OMNETICS CONNECTOR CORP.		 <b>OMNETICS</b> CONNECTOR CORPORATION 7260 COMMERCE CIRCLE EAST MINNEAPOLIS, MN 55432 WWW.OMNETICS.COM	CAGE CODE 61873		
	-TOLERANCES- UNLESS OTHERWISE NOTED	DFTM. DGJ	DATE 09-08-11		TITLE: (36) SOCKET FEMALE DUAL	DWG NO. A79037-001	
	DIMENSIONS IN INCHES	CHK'D.	DATE		DUAL ROW CONNECTOR	SHEET 1 OF 2 REV	
	2 PL DEC ± .01 3 PL DEC ± .005 4 PL DEC ± .0005 ANGLES ± 1°	APP'D.	DATE		W/GUIDE POSTS	SCALE: 5:1 B	