

**MATERIALS & SPECIFICATIONS**

|          |             |     |       |          |     |
|----------|-------------|-----|-------|----------|-----|
| PART NO. | A 79007-001 | REV | ECO   | DATE     | APP |
|          |             | C   | 99101 | 12-06-12 | TLM |

**INSULATOR:**

THERMOPLASTIC PER MIL-M-24519, TYPE GLCP-30F OR GST-40F NATURAL

**CONTACT:**

COPPER ALLOY PER MIL-DTL-32139. GOLD PLATED PER ASTM B488, (HARD GOLD) TYPE II CODE C CLASS 1.27

**TERMINATION:**

SOLDER COATED PER J-STD-006 OR PLATED PER AMS-P-81728

**GUIDE POST:**

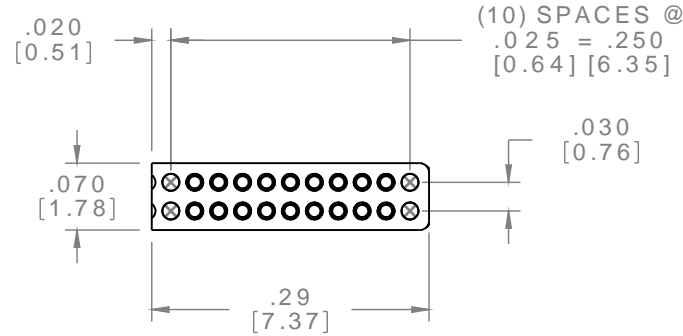
BERYLLIUM COPPER ALLOY PER ASTM B196. ELECTROLESS NICKEL PER SAE-AMS-2404

**CURRENT CAPACITY:**

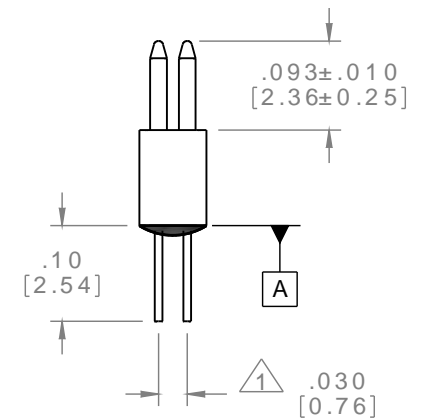
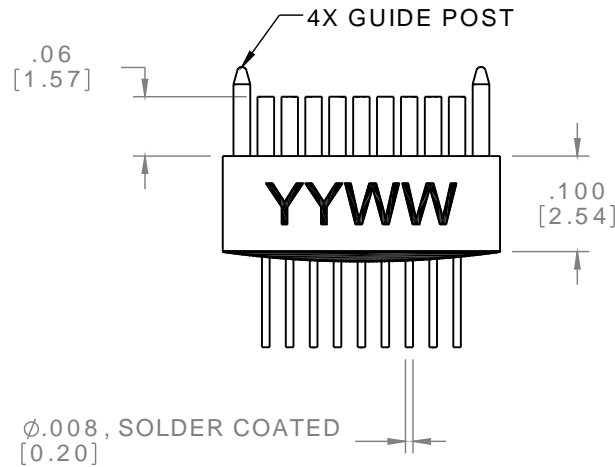
1 AMP MAX PER MIL-DTL-32139

**CONTACT RESISTANCE:**

71 MILLIOHMS (71mV) MAX @ 1.0 AMPS PER MIL-DTL-32139



ACTUAL SIZE



1 TAIL DIMENSIONS APPLY AT PLANE A

**NOTE:**

DIMENSIONS IN [ ] ARE IN MILLIMETERS UNLESS OTHERWISE NOTED AND ARE FOR REFERENCE ONLY

|                  |                        |
|------------------|------------------------|
| NSD<br>SLDW      | THIRD ANGLE            |
|                  | -TOLERANCES-           |
|                  | UNLESS OTHERWISE NOTED |
|                  | DIMENSIONS IN INCHES   |
| 2 PL DEC ± .01   |                        |
| 3 PL DEC ± .005  |                        |
| 4 PL DEC ± .0005 |                        |
| ANGLES ± 1°      |                        |

|  |               |
|--|---------------|
| THIS DRAWING CONTAINS CONFIDENTIAL AND PROPRIETARY INFORMATION WHICH IS THE PROPERTY OF OMNETICS CONNECTOR CORP. THIS DOCUMENT MAY NOT, IN WHOLE OR IN PART, BE DUPLICATED, OR DISCLOSED FOR ANY PURPOSE, WITHOUT WRITTEN PERMISSION FROM OMNETICS CONNECTOR CORP. |               |
| DFTM. TLM  | DATE 09-18-08 |
| CHK'D.   | DATE          |
| APP'D.   | DATE          |
| TITLE:<br>(18) SOCKET FEMALE DUAL<br>ROW NANO CONNECTOR<br>W/GUIDE POSTS   |               |

**OMNETICS**  
CONNECTOR CORPORATION  
7260 COMMERCE CIRCLE EAST  
MINNEAPOLIS, MN 55432  
WWW.OMNETICS.COM

|                    |       |
|--------------------|-------|
| CAGE CODE 61873    |       |
| DWG NO. A79007-001 |       |
| SHEET 1 OF 1       | REV C |
| SCALE: 5:1         |       |