

MATERIALS & SPECIFICATIONS

PART NO.	A 79003-001	REV	ECO	DATE	APP
		C	99101	10-19-12	TLM

INSULATOR:
LIQUID CRYSTAL POLYMER (LCP)
PER ASTM D5138

CONTACT:
COPPER ALLOY PER MIL-DTL-32139. GOLD PLATED PER ASTM B488, (HARD GOLD) TYPE II
CODE C CLASS 1.27

TERMINATION:
SOLDER COATED PER J-STD-006
OR PLATED PER AMS-P-81728

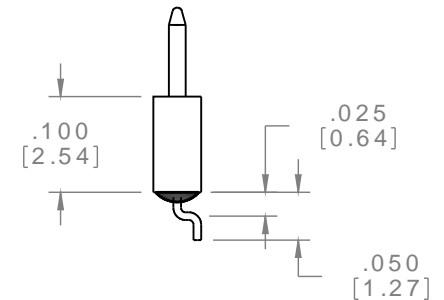
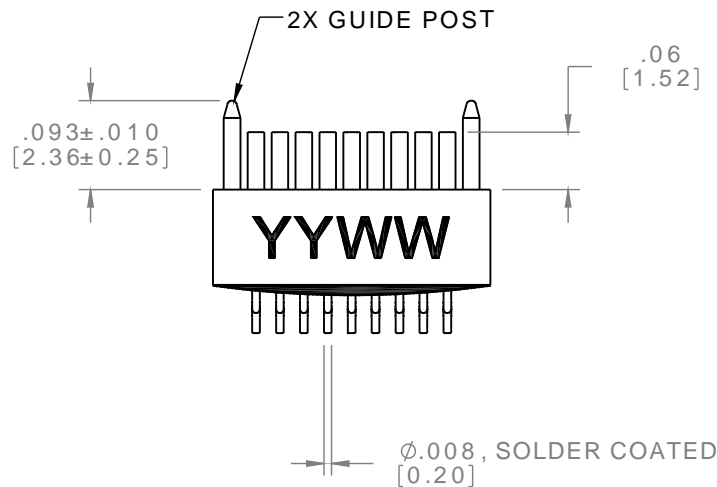
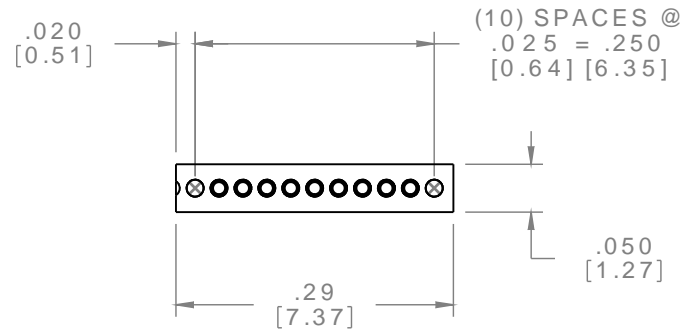
GUIDE POST:
BERYLLIUM COPPER ALLOY PER
ASTM B196. ELECTROLESS NICKEL
PER SAE-AMS-2404

CURRENT CAPACITY:
1 AMP MAX PER MIL-DTL-32139

CONTACT RESISTANCE:
71 MILLIOHMS (71mV) MAX @
1.0 AMPS PER MIL-DTL-32139



ACTUAL SIZE



NOTE:
DIMENSIONS IN [] ARE IN
MILLIMETERS UNLESS
OTHERWISE NOTED AND ARE
FOR REFERENCE ONLY

NSS SSDW	THIRD ANGLE
	-TOLERANCES-
	UNLESS OTHERWISE NOTED DIMENSIONS IN INCHES
2 PL DEC ± .01	
3 PL DEC ± .005	
4 PL DEC ± .0005	
ANGLES ± 1°	

THIS DRAWING CONTAINS CONFIDENTIAL AND PROPRIETARY INFORMATION WHICH IS THE PROPERTY OF OMNETICS CONNECTOR CORP. THIS DOCUMENT MAY NOT, IN WHOLE OR IN PART, BE DUPLICATED, OR DISCLOSED FOR ANY PURPOSE, WITHOUT WRITTEN PERMISSION FROM OMNETICS CONNECTOR CORP.	
DFTM. TLM	DATE 09-17-08
CHK'D.	DATE
APP'D.	DATE
TITLE: (9) SOCKET FEMALE NANO CONNECTOR W/GUIDE POSTS	

OMNETICS
CONNECTOR CORPORATION
7260 COMMERCE CIRCLE EAST
MINNEAPOLIS, MN 55432
WWW.OMNETICS.COM

CAGE CODE 61873	
DWG NO. A79003-001	
SHEET 1 OF 1	REV C
SCALE: 5:1	