

MATERIALS & SPECIFICATIONS

HOUSING: ALUMINUM 6061-T6, NICKEL PLATE
PER AMS-C-26074

INSULATOR: LIQUID CRYSTAL POLYMER (LCP)
PER ASTM D5138

CONTACT: BERYLLIUM COPPER PER ASTM B194,
C17200. GOLD PLATED PER
ASTM B488, (HARD GOLD) TYPE II
CODE C, CLASS 1.27

WIRE: NEMA HP3 TYPE ET, COLOR CODED JAW MIL-STD-681,
SYSTEM 1, USING TEN SOLID REPEATING COLORS

HARDWARE: 303 STAINLESS STEEL PER ASTM 582

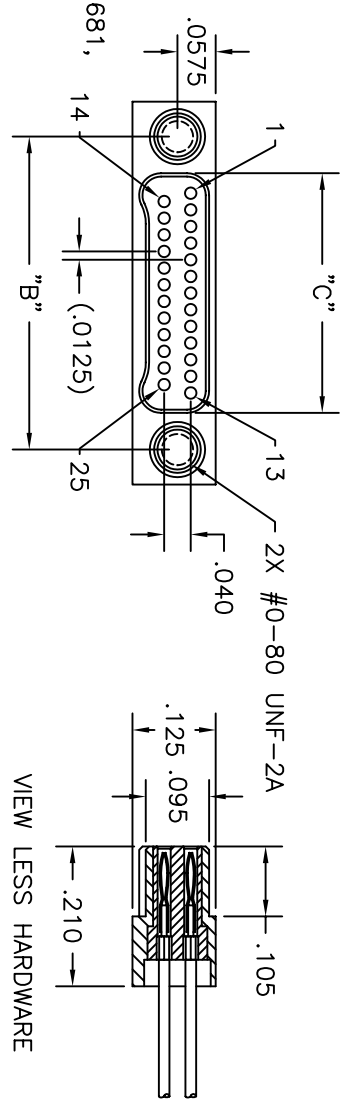
CURRENT RATING 1 AMP MAX PER MIL-DTL-32139

CONTACT RESISTANCE 25 MILLIOHM MAX

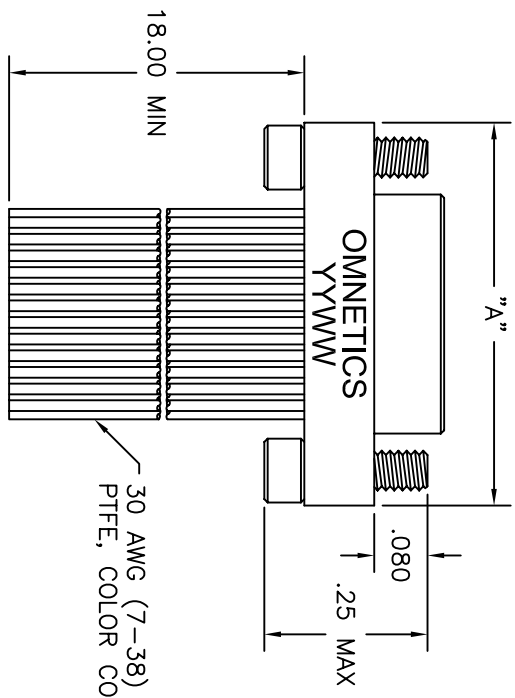
PERFORMANCE: PRODUCT FAMILY TESTED TO
AND PASSED THE PERFORMANCE
SPECIFICATIONS OF TABLE VIII
OF MIL-DTL-32139

PART NO.	CONTACTS	"A"	"B"	"C"
A28000-009	9	.375	.270	.160
A28000-015	15	.450	.345	.235
A28000-021	21	.525	.420	.310
A28000-025	25	.575	.470	.360
A28000-031	31	.650	.545	.435
A28000-037	37	.725	.620	.510
A28000-051	51	.900	.795	.685
A28000-065	65	1.075	.970	.860

PART NO.	REV	ECO	DATE	APP
	D	94450	05-14-07	TLM



VIEW LESS HARDWARE



SOCKET	COLOR
1, 11, 21	BLACK
2, 12, 22	BROWN
3, 13, 23	RED
4, 14, 24	ORANGE
5, 15, 25	YELLOW
6, 16	GREEN
7, 17	BLUE
8, 18	VIOLET
9, 19	GRAY
10, 20	WHITE

(SHOWN)

-TOLERANCES- UNLESS OTHERWISE NOTED DIMENSIONS IN INCHES		OMNETICS CONNECTOR CORPORATION		CAGE CODE 61873	
2 PL DEC	± .01	DFTM. PER	DATE	DATE	DWG NO.
3 PL DEC	± .005	CHK'D.	DATE	DATE	A28000-0XX
4 PL DEC	±	APP'D.	DATE	DATE	SHEET 1 OF 1
ANGLES	±	TITLE: BI-LOBE CONNECTOR		SCALE: 5:1	REV D