

MATERIALS & SPECIFICATIONS

INSULATOR: POLYPHENYLENE SULFIDE (PPS)

PER MIL-M-24519, TYPE GST 40F

CONTACT: COPPER ALLOY PER MIL-DTL-83513

GOLD PLATE PER ASTM B488, (HARD GOLD)
TYPE II, CODE C, CLASS 1.27

TERMINATIONS: 26 AWG (7-34) TYPE E, PER NEMA HP3,

COLOR CODED 1AW MIL-STD-681, SYSTEM 1,
USING TEN SOLID REPEATING COLORS

LATCH SPRING: BERYLLIUM COPPER PER ASTM B194,
NICKEL PLATE PER AMS-C-26074

LATCH SPRING TO BE CENTRALLY LOCATED

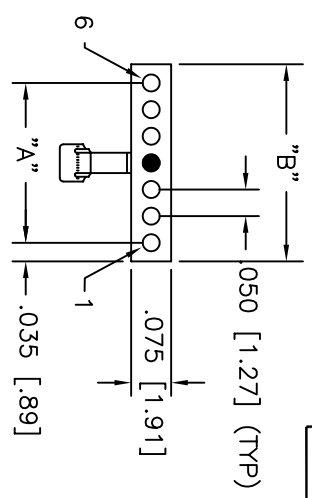
CURRENT CAPACITY 3 AMP MAX

CONTACT RESISTANCE 65 MILLIOHM MAX

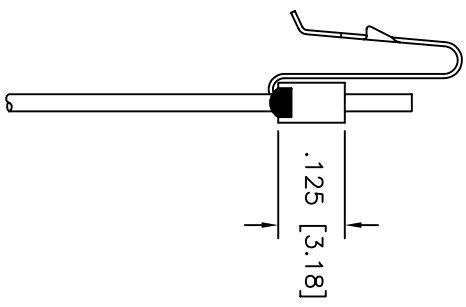
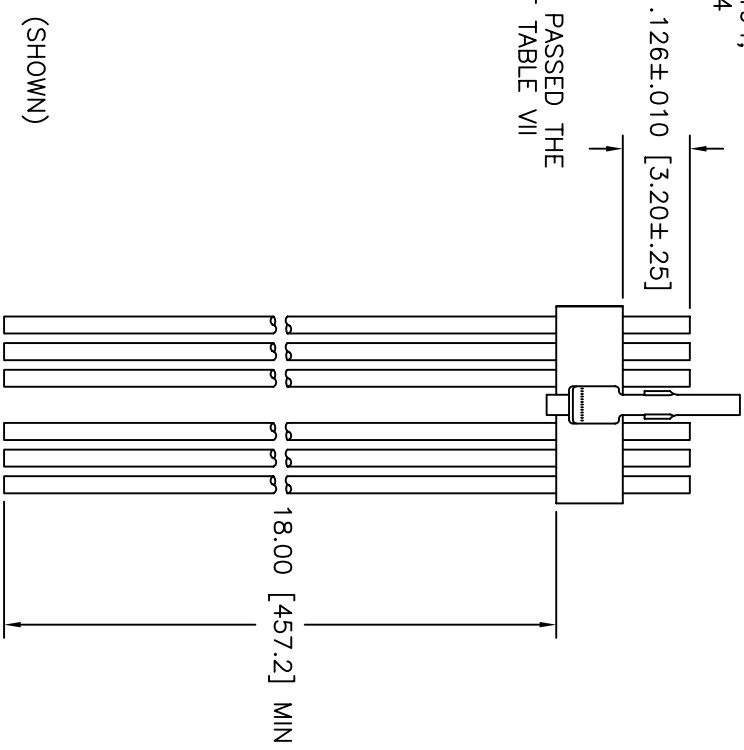
PERFORMANCE: PRODUCT FAMILY TESTED TO AND PASSED THE
PERFORMANCE SPECIFICATIONS OF TABLE VII
OF MIL-DTL-83513

PART #	CONTACTS	"A"	"B"
A25000-002	2	.100 [2.54]	.17 [4.32]
A25000-004	4	.200 [5.08]	.27 [6.86]
A25000-006	6	.300 [7.62]	.37 [9.40]

(SHOWN)



SOCKET #	COLOR
1	BLACK
2	BROWN
3	RED
4	ORANGE
5	YELLOW
6	GREEN



PART NO.

REV	ECO	DATE	APP
C	94468	05-17-07	

FOR LATEST REVISION OF DRAWING
SEE OMNETICS WEBSITE: WWW.OMNETICS.COM

PAGE 2 IS IN STANDARDS SECTION OF CATALOG

-TOLERANCES- UNLESS OTHERWISE NOTED DIMENSIONS IN INCHES		OMNETICS CONNECTOR CORPORATION		CAGE CODE 61873	
S	PL DEC ± .01	DTM. DEL	DATE	05-31-02	DWG NO. A25000-0XX
B	PL DEC ± .005	CHK'D.	DATE		SHEET 1 OF 2
	ANGLES ±	APP'D.	DATE		SCALE: 4:1
			TITLE: FEMALE .050 CL SOCKET STRIP CONNECTOR W/ LATCH		REV C