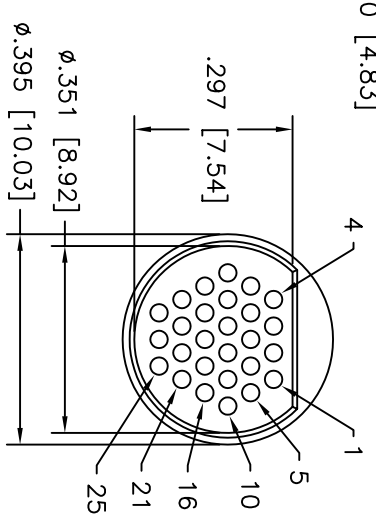
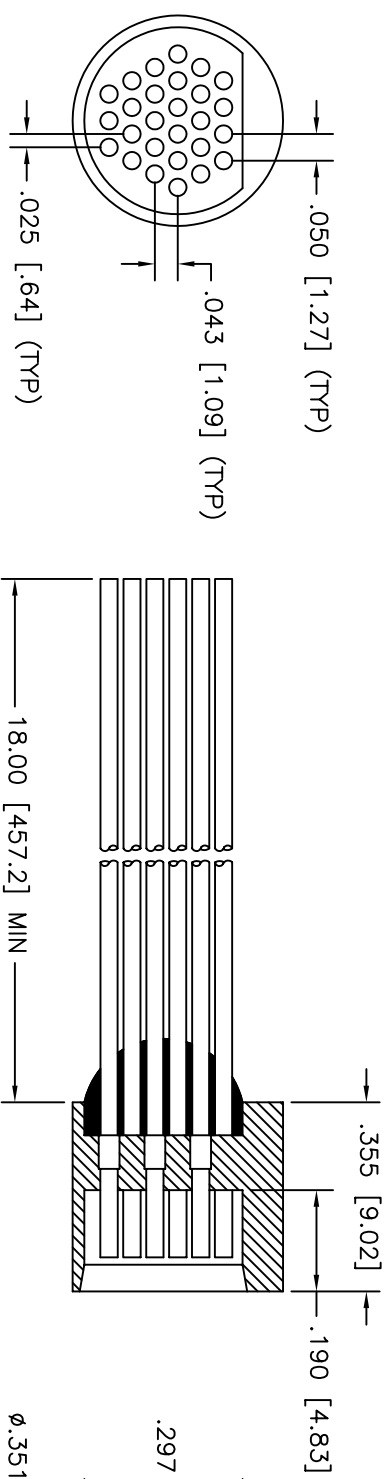


MATERIALS & SPECIFICATIONS

INSULATOR: LIQUID CRYSTAL POLYMER (LCP) PER ASTM D5138  
 CONTACT: COPPER ALLOY PER MIL-DTL-83513, GOLD PLATE PER ASTM B488, (HARD GOLD) TYPE II CODE C, CLASS 1.27  
 TERMINATION: 26 AWG (7-34) TYPE E, PER NEMA HP3, COLOR CODED PER TABLE  
 CURRENT CAPACITY 3 AMP MAX  
 CONTACT RESISTANCE 65 MILLIOHM MAX  
 PERFORMANCE: TESTED TO AND PASSED THE PERFORMANCE SPECIFICATIONS OF TABLE VII OF MIL-DTL-83513

PART NO.	A22009-001	REV	ECO	DATE	APP
		D	94225	01-16-07	TLM

SOCKET #	COLOR
1, 11, 21	BLACK
2, 12, 22	BROWN
3, 13, 23	RED
4, 14, 24	ORANGE
5, 15, 25	YELLOW
6, 16, 26	GREEN
7, 17, 27	BLUE
8, 18	VIOLET
9, 19	GRAY
10, 20	WHITE



LOADING VIEW  
 LESS EPOXY

INTERNAL USE ONLY  
 USE MFG LOADING  
 PROCEDURE MC-27S

-TOLERANCES- UNLESS OTHERWISE NOTED		<b>OMNETICS CONNECTOR CORPORATION</b>		CAGE CODE <b>61873</b>	
DIMENSIONS IN INCHES		DATE	DATE	TITLE:	DWG NO.
2 PL DEC	± .01	02-28-01		(27) SOCKET FEMALE	<b>A22009</b>
3 PL DEC	± .005			CIRCULAR	SHEET OF 1
4 PL DEC	±			CONNECTOR	SCALE: 4:1
ANGLES	±	DATE			REV
					D

FOR LATEST REVISION OF DRAWING  
 SEE OMNETICS WEBSITE: WWW.OMNETICS.COM