

MATERIALS & SPECIFICATIONS

INSULATOR: LIQUID CRYSTAL POLYMER (LCP) PER ASTM D5138

CONTACT: COPPER ALLOY PER MIL-DTL-83513, GOLD PLATE PER ASTM B488, (HARD GOLD) TYPE II CODE C, CLASS 1.27

TERMINATION: 26 AWG (7-34) TYPE E, PER NEMA HP3, COLOR CODED PER TABLE

CURRENT CAPACITY 3 AMP MAX

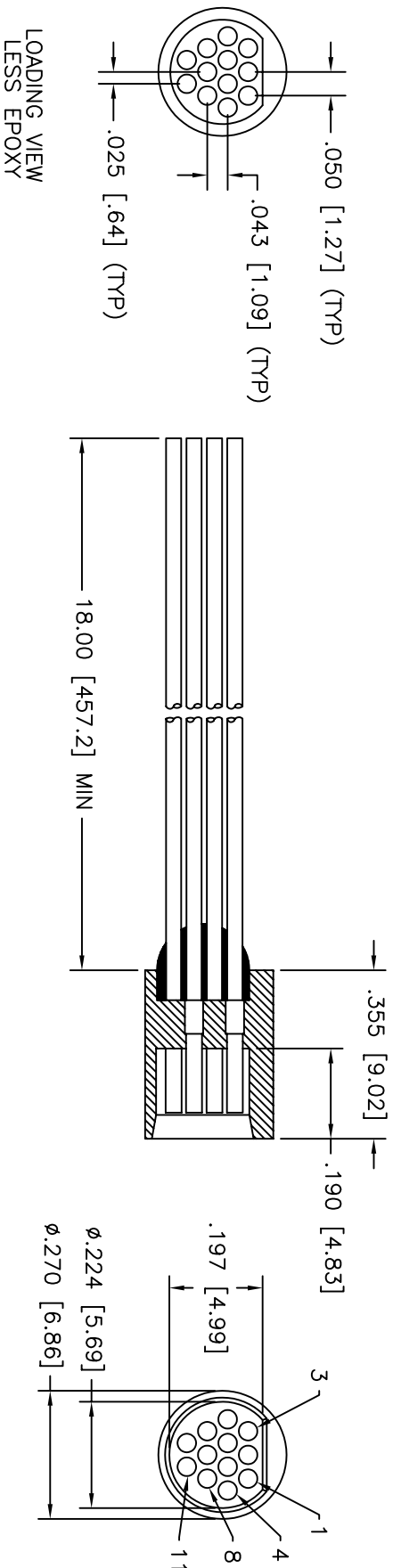
CONTACT RESISTANCE 65 MILLIOHM MAX

PERFORMANCE: TESTED TO AND PASSED THE PERFORMANCE

SPECIFICATIONS OF TABLE VII OF MIL-DTL-83513

PART NO.	A22007-001	REV	ECO	DATE	APP
	D	94225	01-16-07	TLM	

SOCKET #	COLOR
1	BLACK
2	BROWN
3	RED
4	ORANGE
5	YELLOW
6	GREEN
7	BLUE
8	VIOLET
9	GRAY
10	WHITE
11	WHT/BLK
12	WHT/BRN



LOADING VIEW
LESS EPOXY

INTERNAL USE ONLY
USE MFG LOADING
PROCEDURE MC-12S

FOR LATEST REVISION OF DRAWING
SEE OMNETICS WEBSITE: WWW.OMNETICS.COM

-TOLERANCES- UNLESS OTHERWISE NOTED DIMENSIONS IN INCHES		OMNETICS CONNECTOR CORPORATION		CAGE CODE 61873	
2 PL DEC	± .01	DFTM. PMX	DATE	02-28-01	DWG NO. A22007
3 PL DEC	± .005	CHK'D.	DATE		SHEET OF 1
4 PL DEC	±	APP'D.	DATE		SCALE: 4:1
ANGLES	±	TITLE: (12) SOCKET FEMALE CIRCULAR CONNECTOR		REV	D