

MATERIALS & SPECIFICATIONS

INSULATOR: LIQUID CRYSTAL POLYMER(LCP) PER ASTM D5138

CONTACT: BERYLLIUM COPPER PER ASTM B194, C17200. GOLD PLATED PER ASTM B488, (HARD GOLD) TYPE II CODE C CLASS 1.27

TERMINATION: 26 AWG (7-34) TYPE E, PER NEMA HP3, COLOR CODED PER TABLE

CURRENT CAPACITY 3 AMP MAX

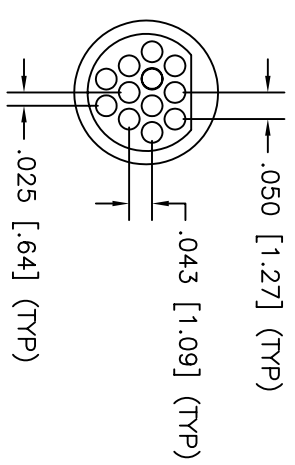
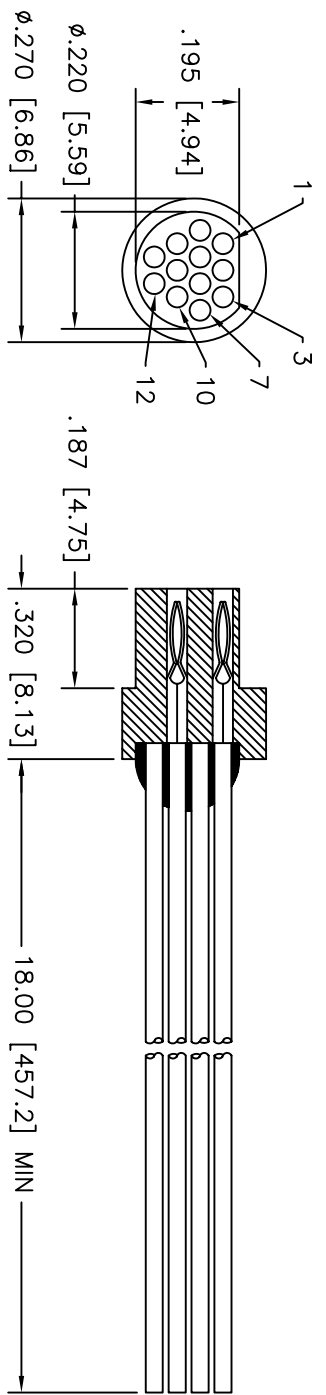
CONTACT RESISTANCE 65 MILLIOHM MAX

PERFORMANCE: TESTED TO AND PASSED THE PERFORMANCE

SPECIFICATIONS OF TABLE VII OF MIL-DTL-83513

PART NO.	A22006-001	REV	ECO	DATE	APP
D	94225	01-16-07	TLM		

PIN #	COLOR
1	BLACK
2	BROWN
3	RED
4	ORANGE
5	YELLOW
6	GREEN
7	BLUE
8	VIOLET
9	GRAY
10	WHITE
11	WHT/BLK
12	WHT/BRN



INTERNAL USE ONLY  
 USE MFG LOADING  
 PROCEDURE MC-12P

-TOLERANCES- UNLESS OTHERWISE NOTED DIMENSIONS IN INCHES		DATE		OMNETICS CONNECTOR CORPORATION (12) PIN MALE CIRCULAR CONNECTOR	CAGE CODE 61873
		DFTM. PMX	DATE		
2 PL DEC ± .01	3 PL DEC ± .005	CHK'D.	DATE	SHEET 1 OF 1	REV D
4 PL DEC ±	ANGLES ±	APP'D.	DATE	SCALE: 4:1	

FOR LATEST REVISION OF DRAWING  
 SEE OMNETICS WEBSITE: WWW.OMNETICS.COM