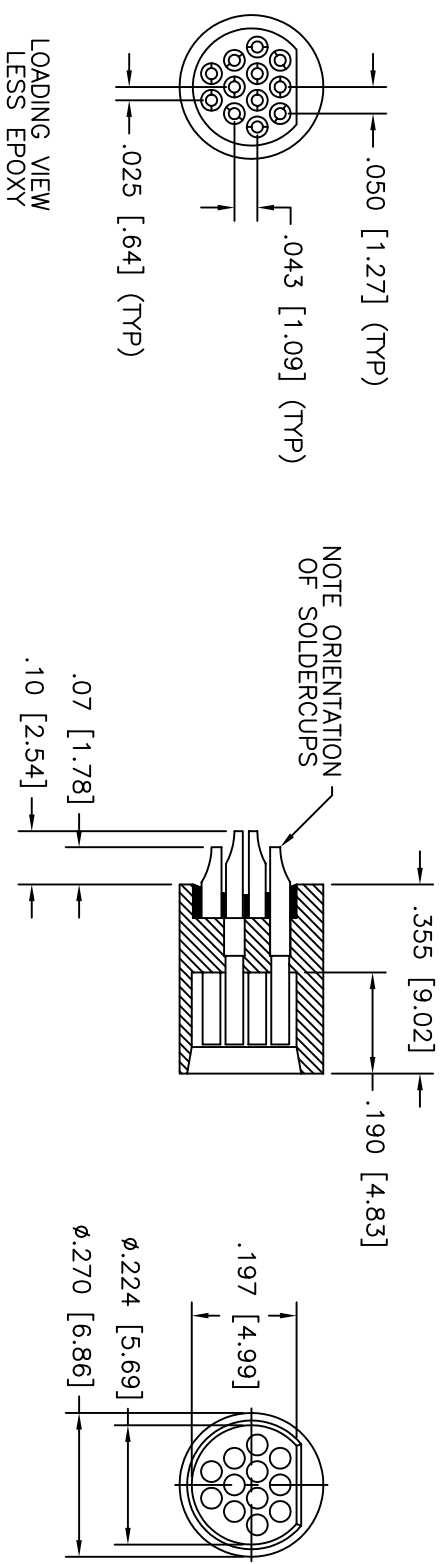


MATERIALS & SPECIFICATIONS

INSULATOR: LIQUID CRYSTAL POLYMER (LCP) PER ASTM D5138  
 CONTACT: COPPER ALLOY PER MIL-DTL-83513. GOLD PLATE PER ASTM B488, (HARD GOLD) TYPE II CODE C, CLASS 1.27  
 CURRENT CAPACITY 3 AMP MAX  
 CONTACT RESISTANCE 65 MILLIOHM MAX  
 PERFORMANCE: TESTED TO AND PASSED THE PERFORMANCE SPECIFICATIONS OF TABLE VII OF MIL-DTL-83513

PART NO.	A22005-001	REV	ECO	DATE	APP
		E	94225	01-16-07	TLM



FOR LATEST REVISION OF DRAWING  
 SEE OMNETICS WEBSITE: WWW.OMNETICS.COM

-TOLERANCES- UNLESS OTHERWISE NOTED DIMENSIONS IN INCHES		<b>OMNETICS CONNECTOR CORPORATION</b>		CAGE CODE <b>61873</b>	
2 PL DEC	± .01	DFTM. PER	DATE	DWG NO.	<b>A22005</b>
3 PL DEC	± .005	CHK'D.	DATE	SHEET OF	1 OF 1
4 PL DEC	±	APP'D.	DATE	SCALE:	4:1
ANGLES	±	TITLE: (12) SOCKET FEMALE CIRCULAR CONNECTOR W/ SOLDERCUPS		REV	E