

MATERIALS & SPECIFICATIONS

INSULATOR: LIQUID CRYSTAL POLYMER (LCP) PER ASTM D5138

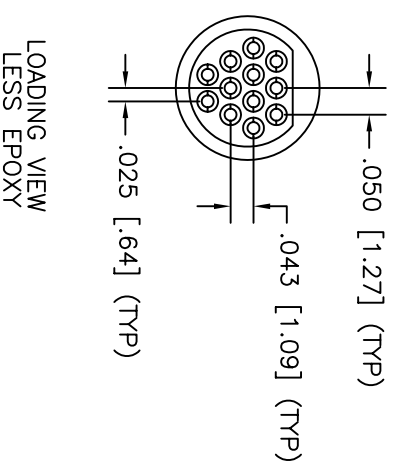
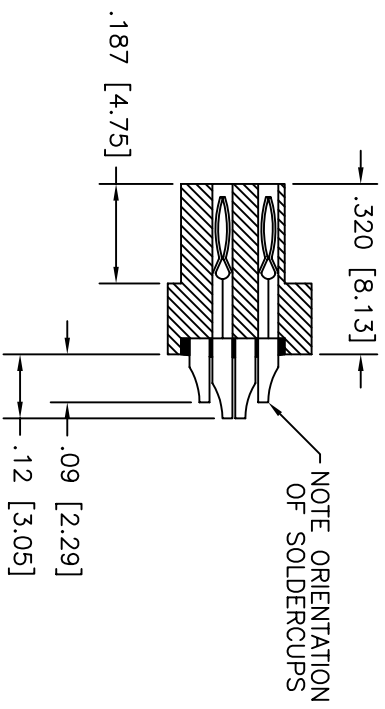
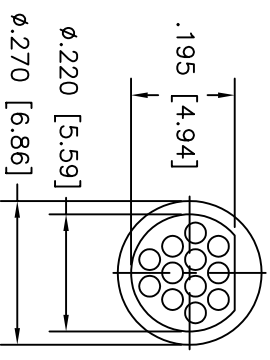
CONTACT: BERYLLIUM COPPER PER ASTM B194, C17200. GOLD PLATED PER ASTM B488, (HARD GOLD) TYPE II CODE C CLASS 1.27

TERMINATION: COPPER ALLOY PER MIL-DTL-83513 MATT SOLDER PLATE
 .0001-.0002 THICK PER AMS-P-81728 AND/OR GOLD PLATE PER ASTM B488, (HARD GOLD) TYPE II CODE C, CLASS 1.27

CURRENT CAPACITY 3 AMP MAX

CONTACT RESISTANCE 65 MILLIOHM MAX

PERFORMANCE: TESTED TO AND PASSED THE PERFORMANCE SPECIFICATIONS OF TABLE VII OF MIL-DTL-83513



PART NO.	A22004-001	REV	ECO	DATE	APP
		D	94225	01-16-07	TLM

-TOLERANCES- UNLESS OTHERWISE NOTED DIMENSIONS IN INCHES		DATE		TITLE: (12) PIN MALE CIRCULAR CONNECTOR W/SOLDERCUPS	CAGE CODE 61873	
		DFTM. PMX	DATE		DWG NO.	A22004
2 PL DEC	± .01	CHK'D.	DATE	SHEET 1 OF 1	REV	
3 PL DEC	± .005	APP'D.	DATE	SCALE: 4:1	D	
4 PL DEC	±					
ANGLES	±					

FOR LATEST REVISION OF DRAWING
 SEE OMNETICS WEBSITE: WWW.OMNETICS.COM