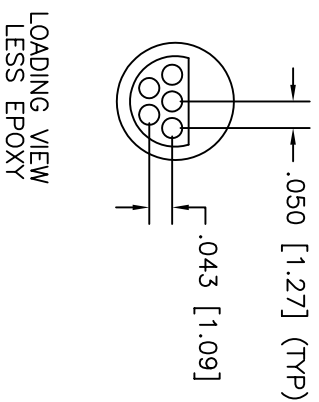
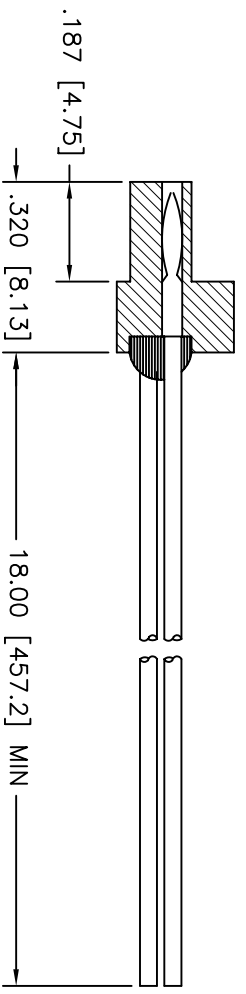
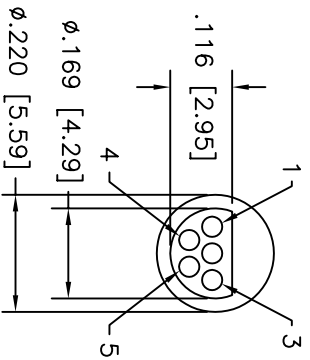


PART NO.	A22002-001	REV	ECO	DATE	APP
		D	94225	01-16-07	TLM

**MATERIALS & SPECIFICATIONS**

INSULATOR: LIQUID CRYSTAL POLYMER (LCP) PER ASTM D5138  
 CONTACT: BERYLLIUM COPPER PER ASTM B194, C17200. GOLD PLATED PER ASTM B488, (HARD GOLD) TYPE II CODE C CLASS 1.27  
 TERMINATION: 26 AWG (7-34) TYPE E, PER NEMA HP3, COLOR CODED PER TABLE  
 CURRENT CAPACITY 3 AMP MAX  
 CONTACT RESISTANCE 65 MILLIOHM MAX  
 PERFORMANCE: TESTED TO AND PASSED THE PERFORMANCE SPECIFICATIONS OF TABLE VII OF MIL-DTL-83513

PIN #	COLOR
1	BLACK
2	BROWN
3	RED
4	ORANGE
5	YELLOW



LOADING VIEW  
LESS EPOXY

INTERNAL USE ONLY  
 USE MFG LOADING  
 PROCEDURE MC-5P

<p>—TOLERANCES— UNLESS OTHERWISE NOTED DIMENSIONS IN INCHES</p>		<p><b>OMNETICS CONNECTOR CORPORATION</b></p>		<p>CAGE CODE <b>61873</b></p>	
2 PL DEC	± .01	DFTM. PER	DATE	02-28-01	<p>TITLE: (5) PIN MALE CIRCULAR CONNECTOR</p>
3 PL DEC	± .005	CHK'D.	DATE		
4 PL DEC	±	APP'D.	DATE		
ANGLES	±				
<p>FOR LATEST REVISION OF DRAWING SEE OMNETICS WEBSITE: WWW.OMNETICS.COM</p>			<p>DWG NO. <b>A22002</b></p>		<p>SHEET 1 OF 1</p>
			<p>SCALE: 4:1</p>		<p>REV D</p>