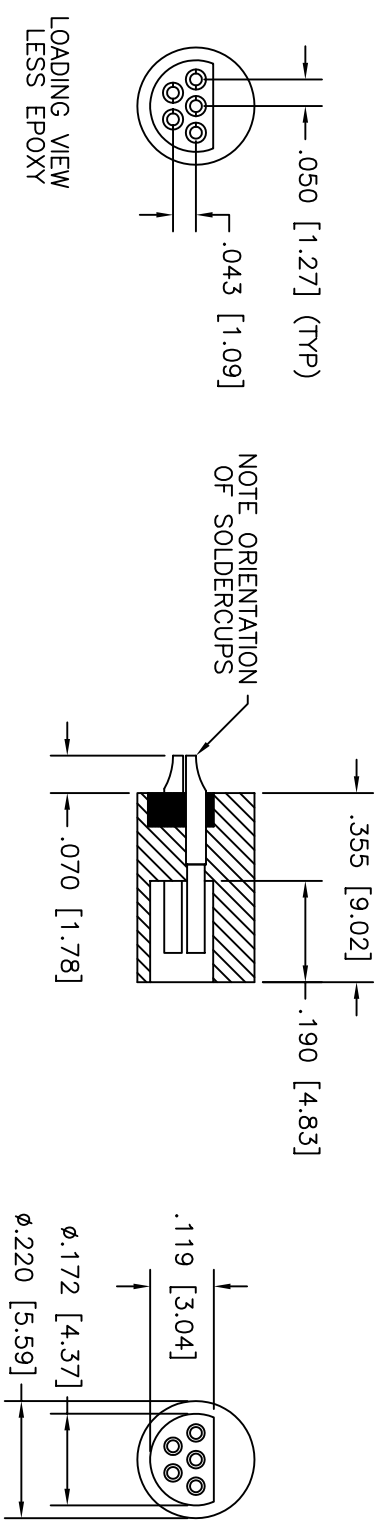


MATERIALS & SPECIFICATIONS

INSULATOR: LIQUID CRYSTAL POLYMER (LCP) PER ASTM D5138
 CONTACT: COPPER ALLOY PER MIL-DTL-83513, GOLD PLATE PER
 ASTM B488, (HARD GOLD) TYPE II CODE C, CLASS 1.27
 CURRENT CAPACITY 3 AMP MAX
 CONTACT RESISTANCE 65 MILLIOHM MAX
 PERFORMANCE: TESTED TO AND PASSED THE PERFORMANCE
 SPECIFICATIONS OF TABLE VII OF MIL-DTL-83513

PART NO.	A22001-001	REV	ECO	DATE	APP
		D	94225	01-16-07	TLM



FOR LATEST REVISION OF DRAWING
 SEE OMNETICS WEBSITE: WWW.OMNETICS.COM

-TOLERANCES- UNLESS OTHERWISE NOTED DIMENSIONS IN INCHES		OMNETICS CONNECTOR CORPORATION		CAGE CODE 61873	
2 PL DEC	± .01	DFTM. PER	DATE	DWG NO.	A22001
3 PL DEC	± .005	CHK'D.	DATE	SHEET OF	1 1
4 PL DEC	±	APP'D.	DATE	SCALE:	4:1
ANGLES	±	TITLE: (5) SOCKET FEMALE CIRCULAR CONNECTOR W/SOLDERCUPS		REV	D