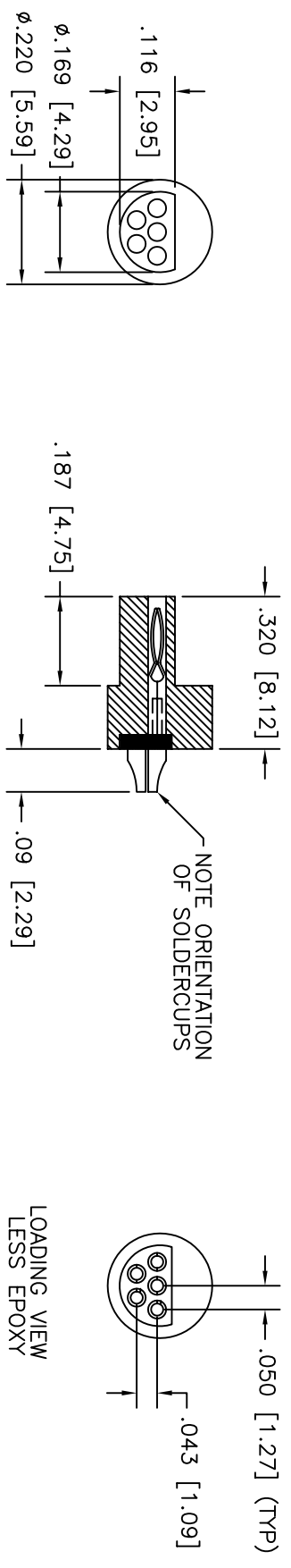


MATERIALS & SPECIFICATIONS

INSULATOR: LIQUID CRYSTAL POLYMER (LCP) PER ASTM D5138
 CONTACT: BERYLLIUM COPPER PER ASTM B194, C17200. GOLD PLATED PER ASTM B488, (HARD GOLD) TYPE II CODE C CLASS 1.27
 TERMINATION: COPPER ALLOY PER MIL-DTL-83513 MATT SOLDER PLATE .0001-.0002 THICK PER AMS-P-81728
 CURRENT CAPACITY 3 AMP MAX
 CONTACT RESISTANCE 65 MILLIOHM MAX
 PERFORMANCE: TESTED TO AND PASSED THE PERFORMANCE SPECIFICATIONS OF TABLE VII OF MIL-DTL-83513

| | | | | | |
|----------|------------|-----|-------|----------|-----|
| PART NO. | A22000-001 | REV | ECO | DATE | APP |
| | | D | 94225 | 01-16-07 | TLM |



FOR LATEST REVISION OF DRAWING SEE OMNETICS WEBSITE: WWW.OMNETICS.COM

| | | | | | |
|--|------------|---------------------------------------|------|--|--|
| -TOLERANCES- UNLESS OTHERWISE NOTED DIMENSIONS IN INCHES | | OMNETICS CONNECTOR CORPORATION | | CAGE CODE 61873 | |
| 2 PL DEC | $\pm .01$ | DTM. PER | DATE | 02-28-01 | |
| 3 PL DEC | $\pm .005$ | CHK'D. | DATE | | |
| 4 PL DEC | \pm | APP'D. | DATE | | |
| ANGLES | \pm | TITLE: | | (5) PIN MALE CIRCULAR CONNECTOR W/SOLDERCUPS | |
| | | DWG NO. | | A22000 | |
| | | SHEET OF | | 1 OF 1 | |
| | | SCALE: | | 4:1 | |
| | | REV | | D | |